

MINI ROLL WRAPPER



Penguin Mini Roll Wrapper is specifically designed for Flexible packing FFS Film rolls (or) Retread Rubber manufactured in roll forms. Pre-stretched film is stretched across the face of the roll axially and wrapped. The longitudinal applied wraps are moved along the periphery with uniform overlap as the reel rotates continuously resulting in cocoon type packing. All kind of FFS film rolls can be packed in this machine.

Salient Features:

- Easy to operate table-top model
- Perfect moisture & dust proof packing
- Powered pre-stretch upto 300% stretch



Applications:

Retread rubber rolls, tyres, FFS foil rolls, mini paper rolls, flexible packages, coils and spools.

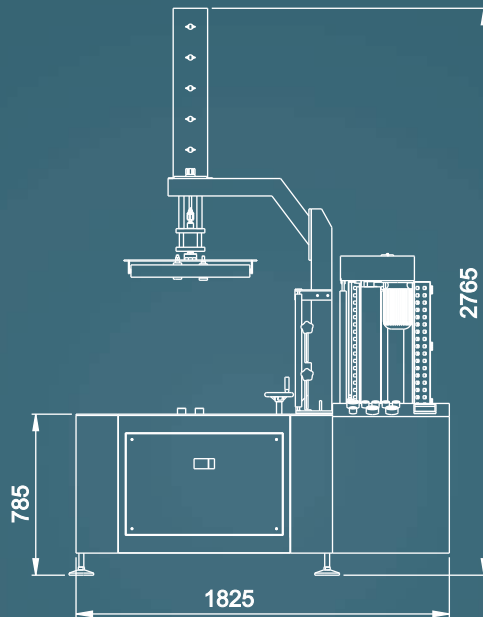
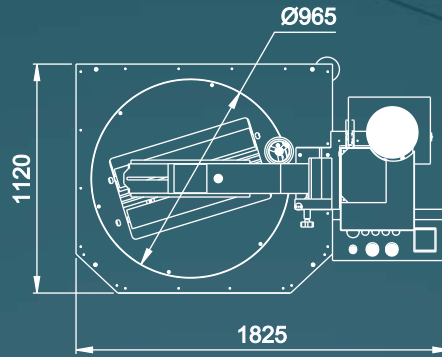


Specifications

CAPACITY:		MACHINE: *	FILM DETAILS:
Rolls / Hour	: 30 - 75Nos.	TURN TABLE	Material : LLDPE Stretch film
Weight / Roll (max.)	: 200 kg.	Diameter	Film width : 500 mm
Roll diameter (max.)	: 200 - 700 mm	Height	Film thickness-Range: 20 - 50 μ
Roll width	: 60 - 500 mm	Speed	Film thickness-Used : 23 μ
		Max. Stretch	Core diameter : 76 mm
		Installed power	Max. Film diameter : 250 mm
		Power supply	

* We also offer custom built machines to suit your product requirements

Layout - Mini Roll Wrapper



Note:

- All dimensions are in mm

- Customer should provide dry compressed air at 6 bar pressure

Manufactured by



Factory:

3 / 184, Kodayampalayam
Vaiyampalayam Post
Coimbatore - 641 110. Tamil Nadu INDIA
Tel: +91 94436 77432 , +91 94436 77804

Office:

"The Rookery", 46-B, KRK Road
Krishnasamy Nagar II Layout
Ramanathapuram
Coimbatore - 641 045. Tamil Nadu INDIA
Tel: +91 - 422 - 231 56 40 / 41 /44



✉ info@penguin.in

🌐 www.penguin.in